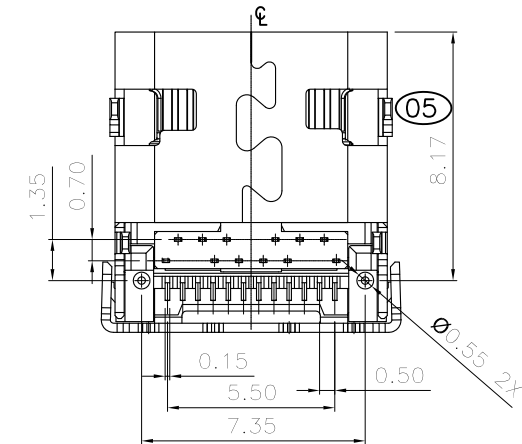
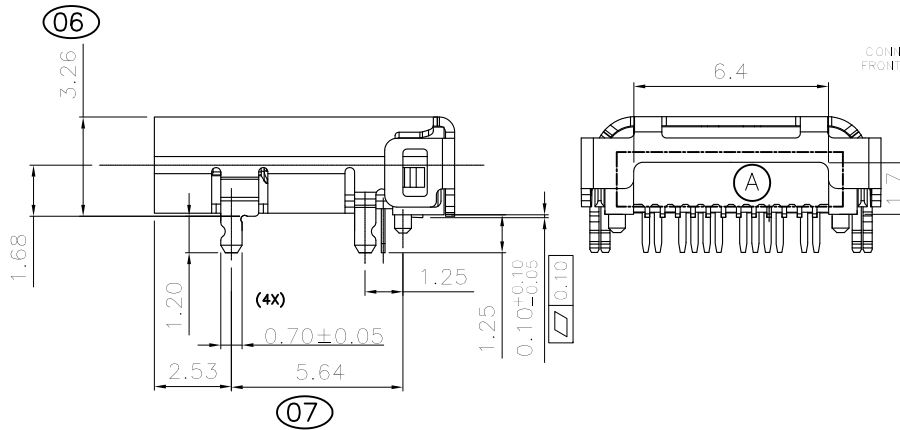
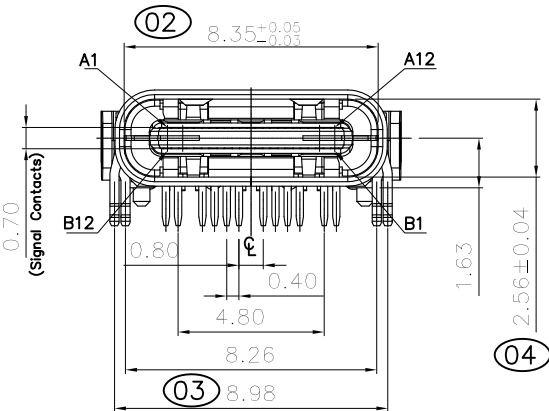


CONNECTOR FRONT EDGE
RECOMMENDED P.C.B. LAYOUT (T:1.00mm)
 TOLERANCE UNSPECIFIED ±0.05mm



SPECIFICATIONS:

- MECHANICAL :
 - 1.1 INSERTION FORCE : 5N~20N
 - 1.2 WITHDRAWAL FORCE : 8N~20N
AFTER 10,000 CYCLES MATING: 2N MIN.
- ELECTRICAL :
 - 2.1 CONTACT CURRENT RATING: 3A .
 - 2.2 VOLTAGE RATING : 30V AC (rms)
 - 2.3 WITHSTANDING VOLTAGE: 100 VAC FOR 1 MINUTE.
INSULATION RESISTANCE: 100 MEGAOHMS MIN.
 - 2.4 CONTACT RESISTANCE: 40 MILLIOHMS MAX.
- ENVIRONMENTAL :
 - 3.1 OPERATING TEMPERATURE: -25°C TO +85°C

	A	B
1	GND	12 GND
2	SSTXp1	11 SSRXp1
3	SSTXn1	10 SSRXn1
4	VBUS	9 VBUS
5	CC1	8 SUB2
6	Dp1	7 Dn2
7	Dn1	6 Dp2
8	SUB1	5 CC2
9	VBUS	4 VBUS
10	SSRXn2	3 SSTXn2
11	SSRXp2	2 SSTXp2
12	GND	1 GND

NO.	PART NAME	MATERIAL	DESCRIPTION
6			
5	SHELL	SUS	NI PLATED OVERALL
4	LATCH	SUS	
3	EMI	SUS	
2	CONTACTOR	COPPER ALLOY	G/F PLATED AT CONTACT AREA; TIN PLATED AT SOLDER PIN AREA NICKEL UNDERPLATED OVERALL
1	HOUSING	THERMOPLASTIC	BLACK UL94V-0

HE 东莞市旭明电子有限公司

REV	DATE	DESCRIPTION	NAME	APPRO.	0	±0.25	DESIGN
A	18'/07/18	更改后盖开口	Wyl	Dave	0.0	±0.20	CHECK
O	15'/11/23	NEW	Chi	Captain	0.00	±0.15	APPRO.
					GENERAL TOLERANCE UNLESS OTHERWISE NOTED		

TITLE:	USB C/F 板上型 H=3.26 CL1.68			
PART NO.	UCB0015-000	CUSTOMER NO(REV)	1G	UNIT: mm
FILE NAME	151123-10	SHEET: 1 of 1	SCALE: 1:1	A4