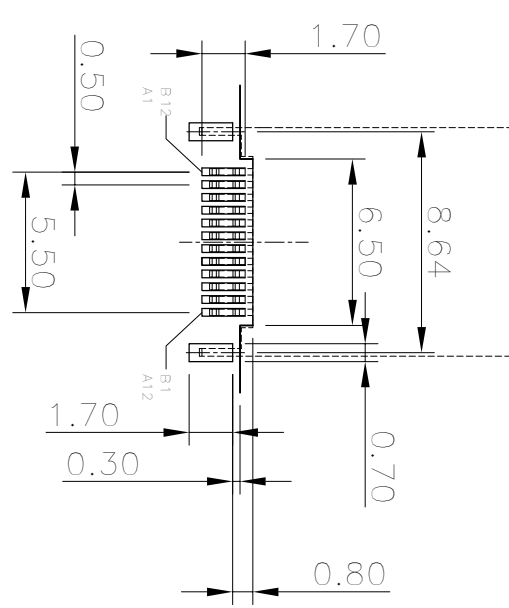
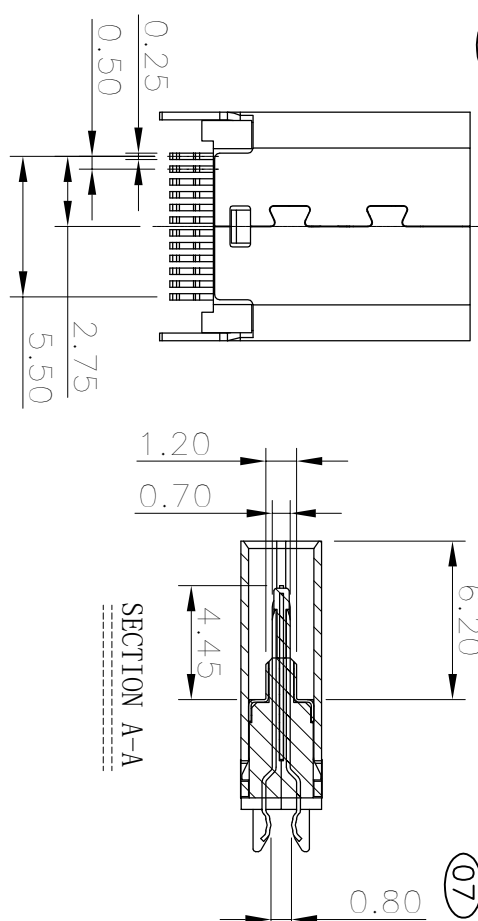
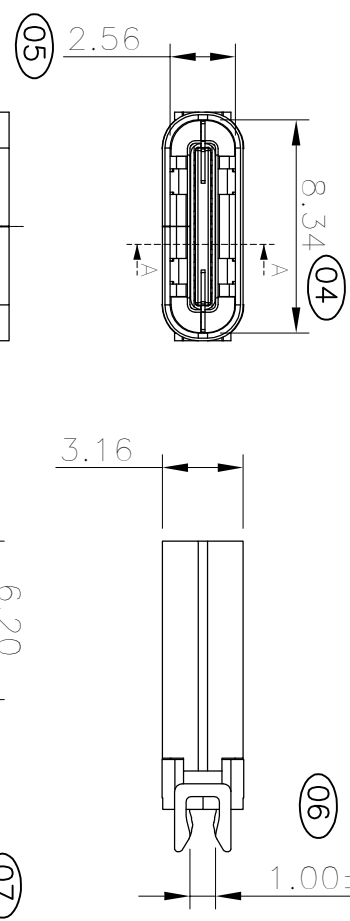
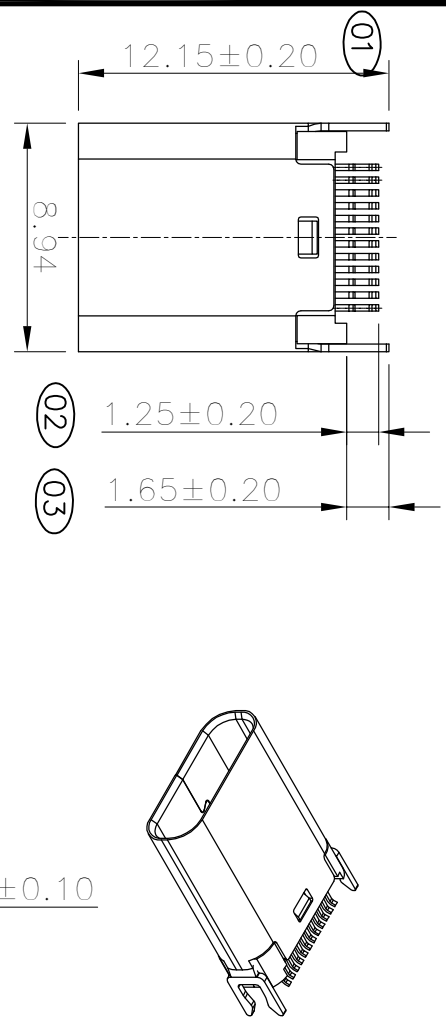
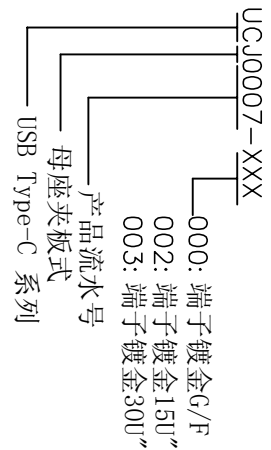


RECOMMENDED P.C.B. LAYOUT (T:1.00mm)  
TOLERANCE UNSPECIFIED ±0.05mm



NOTES:  
1.MATERIAL:  
MOLDING: LCP UL94 V-0  
CONTACT: COPPER ALLOY,  
GOLD PLATED 11μ" Min ON CONTACT AREA, 100μ"  
Min TIN (LEAD FREE) ON SOLDER AREA,  
SHELL: SUS304-H,T=0.30±0.03mm  
50μ" NICKEL PLATING OVER ALL.  
SHLD:SUS304-H,T=0.12±0.03mm  
2.MECHANICAL:  
INSERTION: 5~20N,  
EXTRACTION: 8~20N,  
DURABILITY: 10000 CYCLES  
3.ELECTRICAL:  
CURRENT: 5A MIN FOR VBUS;  
0.25A MIN FOR OTHER,  
VOLTAGE: 5V AC MAX  
WITHSTANDING VOLTAGE: 100V AC,  
CONTACT RESISTANCE: 40mΩ MAX,  
INSULATION RESISTANCE: 100MΩ MIN,  
4.ENVIRONMENTAL  
TEMPERATURE RANGE -55°C ~ +85°C



NO.	PART NAME	MATERIAL	DESCRIPTION
4	SHLD	SUS304-H	
3	SHELL	SUS304-H	NICKEL PLATED
2	CONTACT	COPPER ALLOY	GOLD/TIN PLATED
1	MOLDING	LCP	UL94V-0

**HE** 东莞市旭明电子有限公司

REV	DATE	DESCRIPTION	NAME	APPRO.	GENERAL TOLERANCE UNLESS OTHERWISE NOTED	DESIGN	APPRO.
A	18/03/14	增加一款规格 端子镀金30U"	Wyl		0	±0.25	
0	14/08/16	NEW	Chi	Captain	0.00	±0.15	CHECK

TITLE:	USB3.1 C/F 夹板1.0		
PART NO.	UCJ0007-XXX	CUSTOMER NO(REV)	1G
FILE NAME	140816-10	SHEET: 1 of 1	SCALE: 1:1