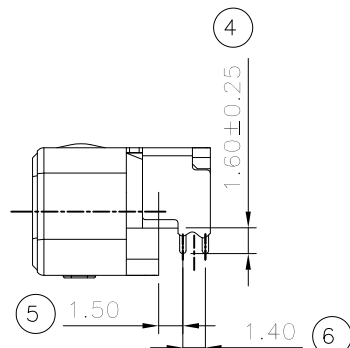
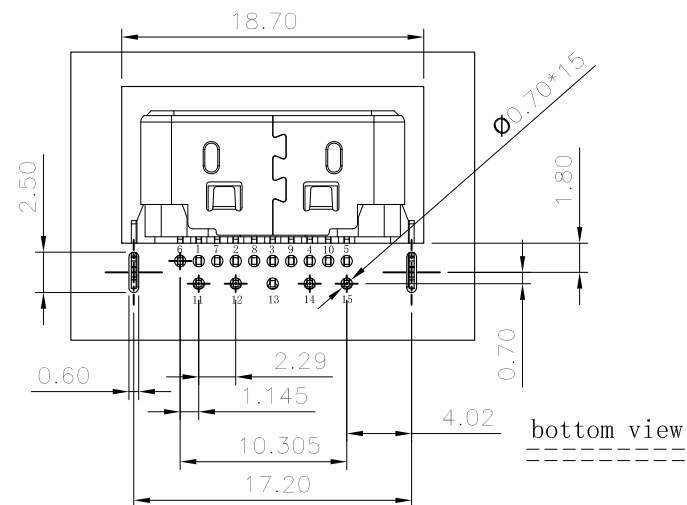


鱼叉脚位尺寸



锡脚脚位尺寸



材料:Material:

特性:Specifications:

电器 Electrical:

接触阻抗:Contact Resistance
30 mΩ MAX

耐电压:Dielectric Withstanding Voltage:
500V AC

绝缘阻抗:Insulation Resistance:
1000 MΩ MIN

Working temprayure:-30° ~+85°

塑胶: LCP

端子: Contact:C2680

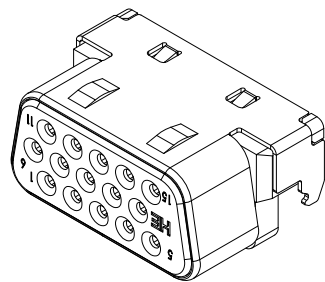
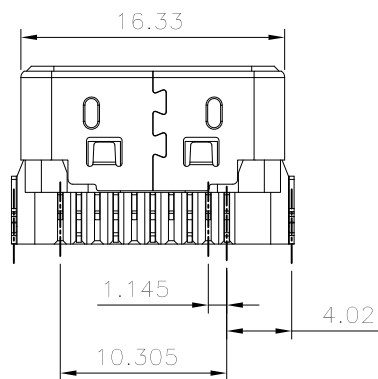
Plated Gold in Mating Area;
Tin/Lead On Solder Talls

外壳:Shell: SPCC

插入力MAX: 4.5Kgf Max.

拔出力MIN: 0.45Kgf Min.

盐雾测试: 24H



5			
4			
3	铁壳	SPCC	Ni Plated
2	端子	C2680	Au/Tin Plated
1	塑胶	White LCP	UL 94V-0
NO.	PART NAME	DESCRIPTION	REMARK

HE 东莞市旭明电子有限公司

TITLE: VGA超薄短体 反向CH=1.0

PART NO. DBC0016-206 UNIT:mm

FILE NAME 150401-01 SHEET: 1 of 1 SCALE: 1:1 A4

					0	±0.25	DESIGN		
					0.0	±0.20	CHECK		
0	15'/04/01	NEW	Chi	Captain	0.00	±0.15	APPRO.		
REV	DATE	DESCRIPTION	NAME	APPRO.	GENERAL TOLERANCE UNLESS OTHERWISE NOTED		APPRO.		