

NOTES:

1. HOUSING MATERIAL: GLASS FILLED POLYESTER UL94V-0.
2. CONTACT MATERIAL: COPPER ALLOY, T=0.35.
3. PLATING: GOLD PLATED ON CONTACT AREA, 100u"MIN. TIN PLATED ON SOLDERING AREA, 50u"MIN. NICKEL PLATED OVERALL.
4. SHELL: COPPER ALLOY, T=0.20, 30u"MIN. NICKEL PLATED OVERALL.
5. LED: LED: 透明黄灯, 透明绿灯, T=0.40mm. 耐温 260° 3~5s. 亮锡电镀.

ELECTRICAL:

1. VOLTAGE RATING: 125V AC RMS.
2. CURRENT RATING: 1.5AMP.
3. CONTACT RESISTANCE: 30MILLIOHMS MAX.
4. INSULATION RESISTANCE: 500MEGOHMS MIN @500V DC.

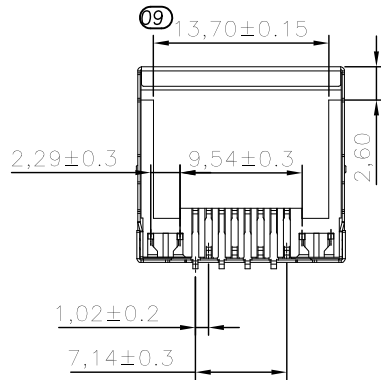
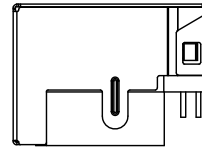
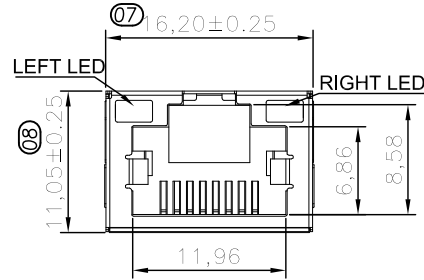
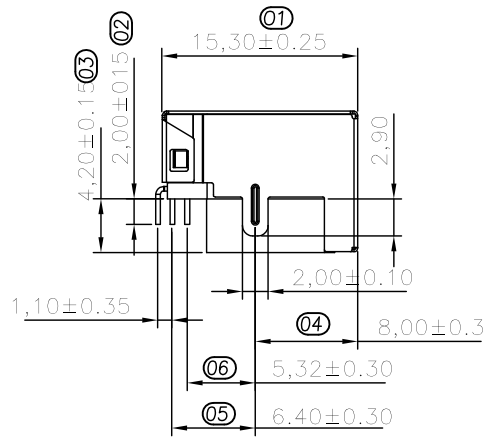
MECHANICAL:

1. DURRABILITY: 750 CYCLES MIN.
2. INSERTION FORCE: 22N MAX.
3. REMOVAL FORCE (WITHOUT PLUG LOCK): 22N MAX.

ENVIRONMENTAL:

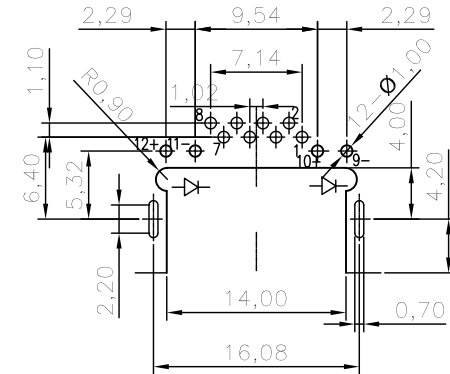
1. STORAGE: -40°C~85°C
2. OPERATION: 0°C~70°C

*Apply to the EU standards (ROSH)

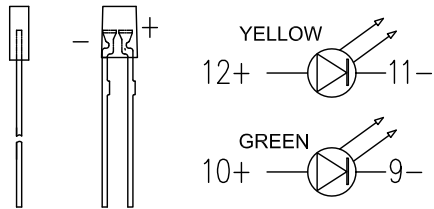


RJC0002-XXX

000: 左绿 右黄
001: 左黄 右绿
产品流水号
母座反向沉板
RJ 系列



脚位尺寸以过孔规为准



NO.	PART NAME	MATERIAL	DESCRIPTION
5	LED 02	See Note	Tin Plating
4	LED 01	See Note	Tin Plating
3	Shielding	Brass	Ni Plating
2	Terminal	Phosphor Bronze	Au/Tin Plating
1	Housing	LCP UL94V-0	Black
NO.	PART NAME	MATERIAL	DESCRIPTION

HE 东莞市旭明电子有限公司

TITLE: RJ45 沉板4.2 DIP直脚(大灯孔)

PART NO.	RJC0002-XXX	CUSTOMER NO(REV)	1G	UNIT: mm
FILE NAME	190718-10	SHEET: 1 of 1	SCALE: 1:1	A4

REV	DATE	DESCRIPTION	NAME	APPRO.	0	±0.25	DESIGN		
					0.0	±0.20	CHECK		
A	19'/07/18	NEW	HQ	LZX	0.00	±0.15	APPRO.		
					GENERAL TOLERANCE UNLESS OTHERWISE NOTED				