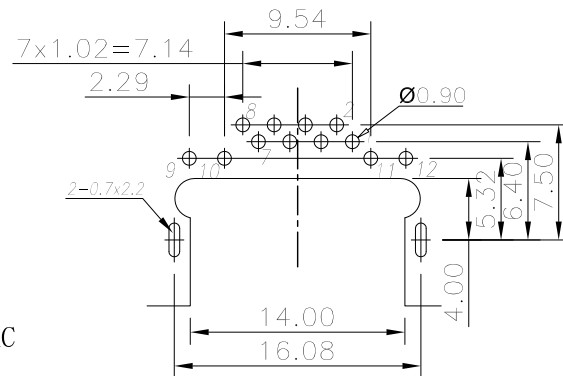


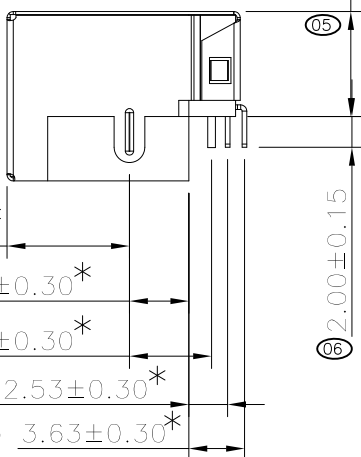
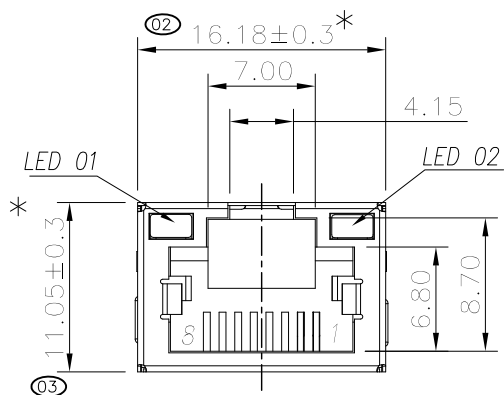
SPECIFICATIONS:

1. RJ Electrical Characteristics

- 1-1: Voltage: 150V AC RMS
- 1-2: Current Rating: 1.5A
- 1-3: Contact Resistance: 40mΩ MAX.
- 1-4: Insulation Resistance: 500MΩ MIN.
- 1-5: Dielectric Withstang Voltage :1000V AC
- 1-6: Operature Temperature: -40° C~80° C



Recommend PCB Layout  
(Jack Top View)  
Tolerance: ±0.05mm



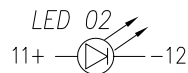
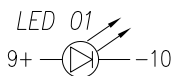
RJC0002-XXX

002: 左绿 右黄

产品流水号  
母座反向沉板  
RJ 系列

Pin	Name	Description
1	Tx+	Tranceive Data+
2	Tx-	Tranceive Data-
3	Rx+	Receive Data+
4	N/C	Not connected
5	N/C	Not connected
6	RX-	Receive Data-
7	N/C	Not connected
8	N/C	Not connected

5	LED 02	See Note	Tin Plating
4	LED 01	See Note	Tin Plating
3	Shielding	Brass	Ni Plating
2	Terminal	Phosphor Bronze	Au/Tin Plating
1	Housing	NY9T UL94V-0	White
NO.	PART NAME	MATERIAL	DESCRIPTION



**HE** 东莞市旭明电子有限公司

TITLE: RJ45 正向沉板4.2 DIP LED左绿右黄 白胶

PART NO. RJC0002-002 CUSTOMER NO(REV) 1G UNIT: mm

FILE NAME 140602-10 SHEET: 1 of 1 SCALE: 1:1 A4

				0	±0.25	DESIGN		
				0.0	±0.20			
0	17/06/02	NEW	Chi	Captain	0.00	±0.15	CHECK	
REV	DATE	DESCRIPTION	NAME	APPRO.	GENERAL TOLERANCE UNLESS OTHERWISE NOTED		APPRO.	