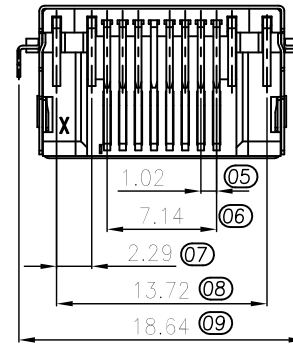
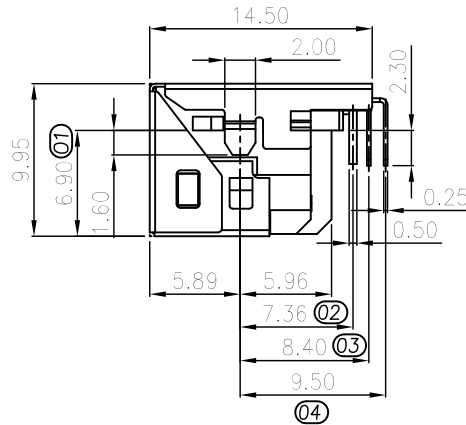
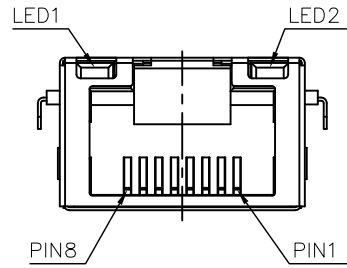
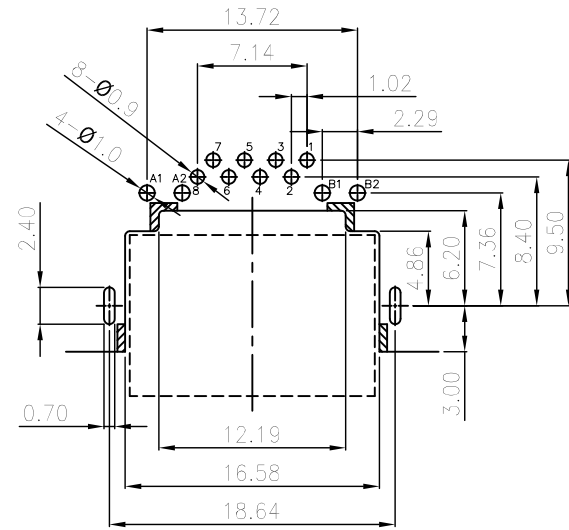
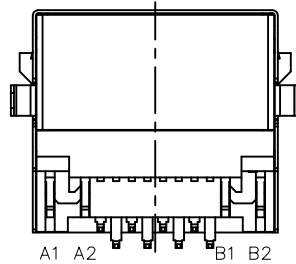
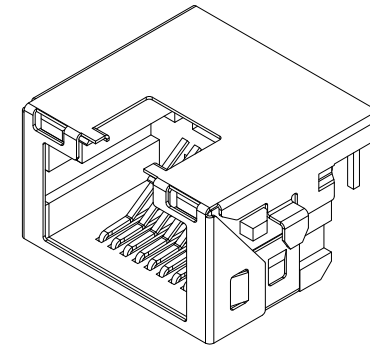


MECHANICAL:

1. HOUSING MATERIAL: PA6T BLACK UL94V-0
2. CONTACT MATERIAL: C5191-H T=0.25mm
3. SHELL MATERIAL: SUS301-1/2H T=0.20mm
4. LED PIN: 0.5*0.5mm
5. PLATING: GOLD PLATING OVER NICKEL,
PLATED NICKEL 50U"Min. SN 120U"Min.
GOLD PLATED ON CONTACT AREA 3U".
SHELL PLATING: PLATED NICKEL 60U"Min.
6. OPERATING: 750 CYCLES Min.
7. MATING FORCE : 22N Max.



RECOMMENDED PCB LAYOUT
(T=1.6mm, tol: ±0.05)



A1 \rightarrow A2 B1 \rightarrow B2
AMBER GREEN

3	SHELL	T=0.20mm SUS301 1/2H	Ni PLATED
2	CONTACT	T=0.25mm C5191-H	Ni/Au PLATED
1	HOUSING	PA6T BLACK	UL94V-0
NO.	PART NAME	DESCRIPTION	REMARK

HE 东莞市旭明电子有限公司

TITLE: RJ45 8P8C 沉板6.95全包带灯 CL= -1.925mm

PART NO.	RJC0005-001	CUSTOMER NO(REV)	UNIT:mm
FILE NAME	190723-02	SHEET: 1 of 1	SCALE: 1:1

REV	DATE	DESCRIPTION	NAME	APPRO.	0	±0.35	DESIGN		
A	19/07/23	NEW	Stn	Captain	0.0	±0.30	CHECK		
					0.00	±0.25	APPRO.		

GENERAL TOLERANCE
UNLESS OTHERWISE NOTED