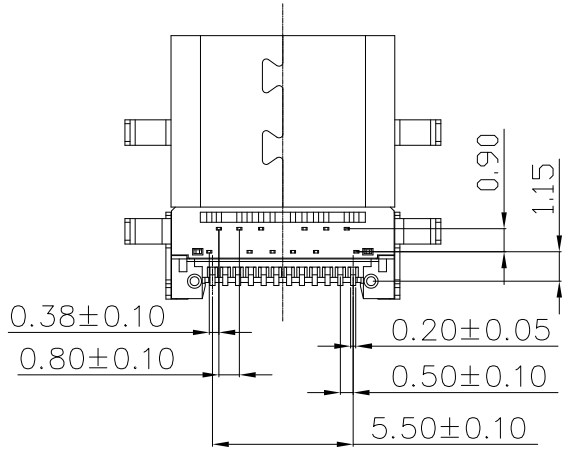


- NOTES:
- MECHANICAL:
 - INSERTION: 5~20N.
 - EXTRACTION: 8~20N AFTER TEST.
 - DURABILITY: 10000 CYCLES
 - ELECTRICAL:
 - CURRENT: 5A FOR VBUS;
1.25A FOR GND PIN.
0.25A FOR OTHER.
 - VOLTAGE: 20 V MAX
 - WITHSTANDING VOLTAGE: 100V AC R.M.S.
 - CONTACT RESISTANCE: 40mΩ MAX.
 - INSULATION RESISTANCE: 100MΩ MIN.
 - ENVIRONMENTAL
 - TEMPERATURE RANGE -25°C ~ +85°C



4	SHILD	SUS304	
3	SHELL	SUS304	50u" NICKEL PLATING OVER ALL.Ni Plating
2	CONTACT	COPPER ALLOY	GOLD PLATED Min ON CONTACT AREA,100u" Min TIN (LEAD FREE) ON SOLDER AREA,
1	MOLDING	LCP UL94V-0	Black
NO.	PART NAME	MATERIAL	DESCRIPTION

HE 东莞市旭明电子有限公司				
TITLE:	USB C/F 前贴后插, 沉板0.5MM			
PART NO.	UCA0017-000	CUSTOMER NO(REV)	1G	UNIT:mm
FILE NAME	140602-10	SHEET: 1 of 1	SCALE: 1:1	A4

				0	±0.25	DESIGN		
				0.0	±0.20		CHECK	
0	14'06/02	NEW	Chi	Captain	0.00	±0.15	APPRO.	
REV	DATE	DESCRIPTION	NAME	APPRO.	GENERAL TOLERANCE UNLESS OTHERWISE NOTED		APPRO.	