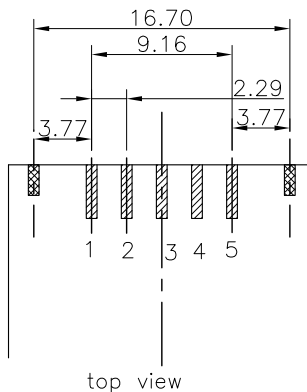
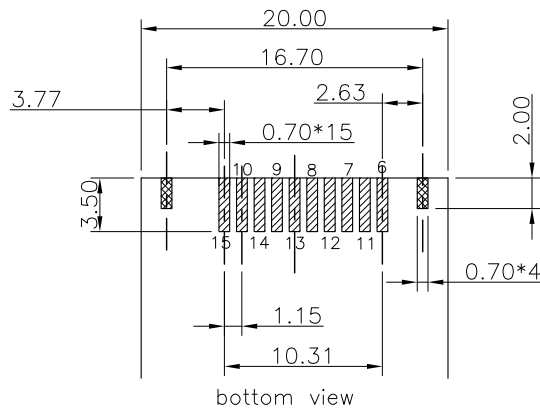
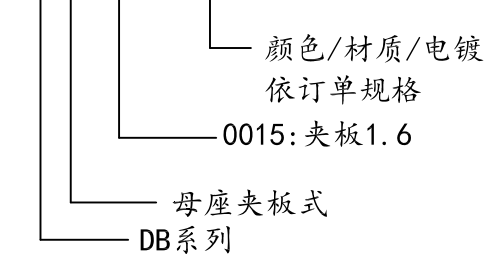


RECOMMENDED P.C.B LAYOUT (COMPONENT SIDE)
FOR P.C.B THICKNESS:1.20&1.60mm



DBJ00XX-XXX



NOTE:

接触阻抗:30 mΩ MAX

耐电压:500V AC

绝缘阻抗:1000 MΩ MIN

寿命测试:5000次, 插拔速度300次/小时

插入力MAX: 4.5Kgf

拔出力MIN: 0.45Kgf

盐雾测试: 24H

工作温度:-30° ~+85°

5			
4			
3	Terminal	Brass	GOLD/TIN PLATED
2	Shell	SPCC	Au/Ni PLATED
1	Housing	LCP/NY9T/PA66/PBT BLACK/BLUE/WHITE/GRAY/ORANGE	UL 94V-0
NO.	PART NAME	DESCRIPTION	REMARK

HE 东莞市旭明电子有限公司

TITLE:	VGA夹板式短体		
PART NO.	DBJ0015-XXX	CUSTOMER NO(REV)	1G UNIT:mm
FILE NAME	140531-10	SHEET: 1 of 1	SCALE: 1:1 A4

C	17'/06/09	更新图面	Wyl	Dave	0	±0.25	DESIGN		
B	14'/07/19	2.30→2.10	chi	captain	0.0	±0.20			
A	14'/06/23	变更叉片距15.9→16.7	chi	captain	0.00	±0.15	CHECK		
REV	DATE	DESCRIPTION	NAME	APPRO.	GENERAL TOLERANCE UNLESS OTHERWISE NOTED		APPRO.		