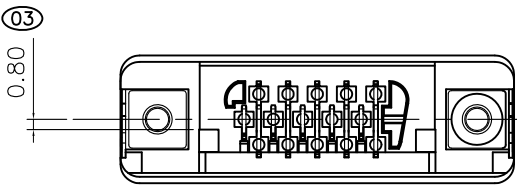
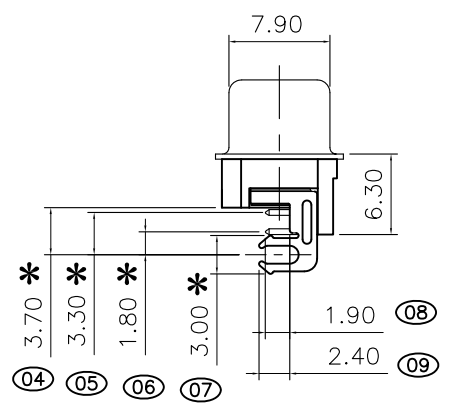
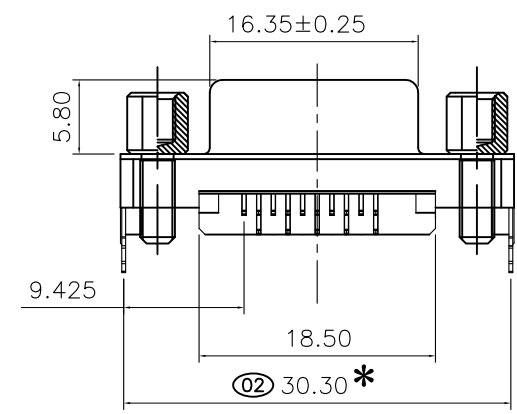
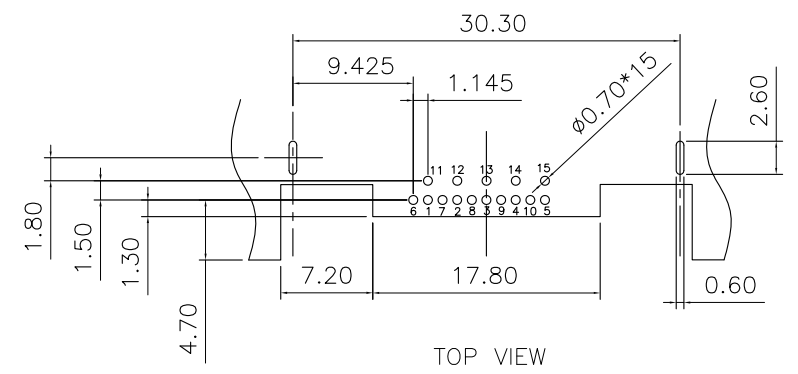
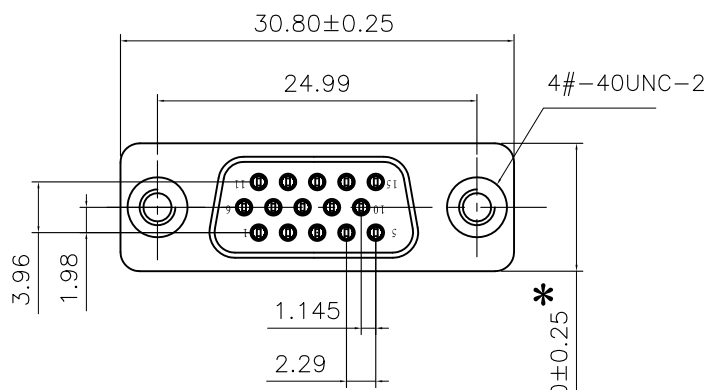


RECOMMENDED PCB LAYOUT (COMPONENT SIDE)
PCB LAYOUT TOLERANCE :±0.05(PCB T=1.2mm)



规格:
接触阻抗:30milliohms MAX
耐电压:500V AC
绝缘阻抗:1000 MEGAohms MIN
寿命:5000次, 插拔速度300次/小时
插拔力: 插入力MAX:4.5Kgf Max.
 拔出力MIN:0.45Kgf Min.
工作温度:-30°C~+85°C
盐雾测试: 24H

5	FORK	BRASS	Matte Tin Plated
4	RIVET	BRASS	Ni Plated
3	SHELL	SPCC	Ni Plated
2	TERMINAL	C2680	Au/Matte Sn Plated
1	HOUSE	GRAY PA66 BLUE	UL 94V-0
NO.	PART NAME	DESCRIPTION	REMARK

HE 东莞市旭明电子有限公司

TITLE:	SLIM VGA 15P F 反向沉板 CL-0.8		
PART NO.	DBC0020-001	CUSTOMER NO(REV)	UNIT:mm
FILE NAME	090412-03	SHEET: 1 of 1	SCALE: 1:1 A4

A	17'/06/13	更新图面	Wyl	Dave	0	±0.25	DESIGN		
A	16'/08/19	更新图面及料号	Chi	Captain	0.0	±0.20			
O	09'/04/12	NEW	Captain	Captain	0.00	±0.15	CHECK		
REV	DATE	DESCRIPTION	NAME	APPRO.	GENERAL TOLERANCE UNLESS OTHERWISE NOTED		APPRO.		