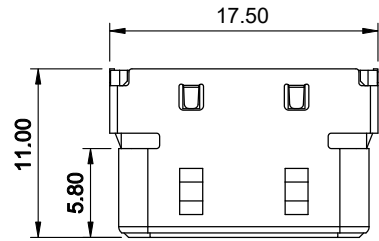
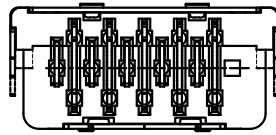


RECOMMENDED P.C.B LAYOUT (COMPONENT SIDE)

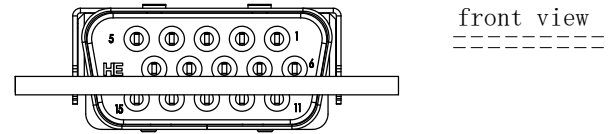
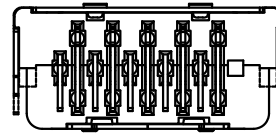
FOR P.C.B THICKNESS:1.20



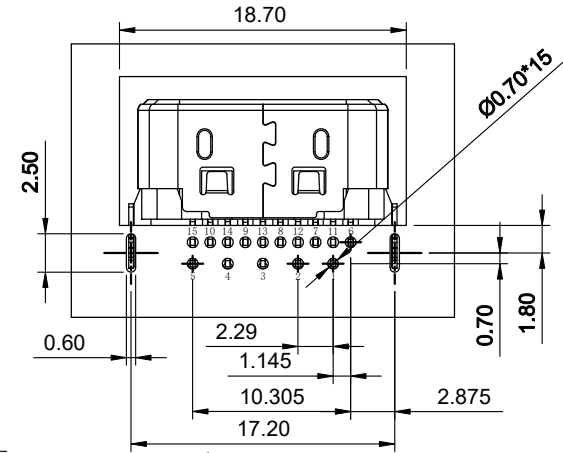
CL -1.2~0



CL 0.5~1.20



front view  
-----



bottom view  
-----

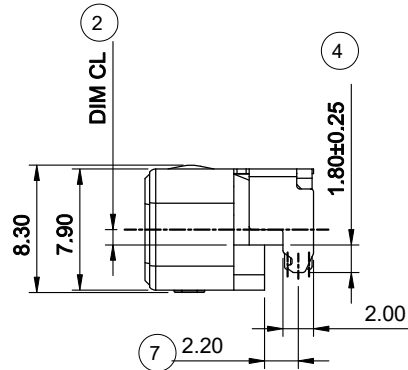
材料:Material:

塑胶: LCP  
 端子: Contact:C2680  
 Piated Gold in Mating Area;  
 Tin/Lead On Solder Talls  
 外壳:Shell: SPCC  
 寿命测试: life test:  
 5000次, 插拔速度300次/小时  
 插入力MAX: 4.5Kgf Max.  
 拔出力MIN: 0.45Kgf Min.  
 盐雾测试: 24H

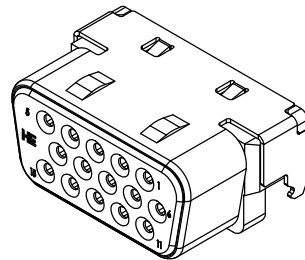
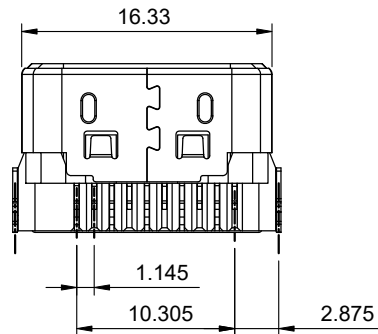
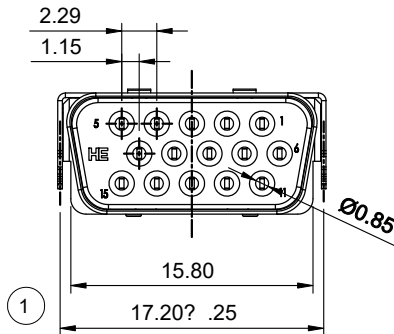
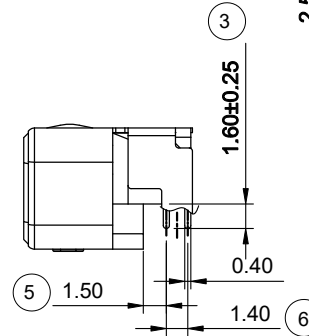
特性:Specifications:

电器 Electrical:  
 接触阻抗:Contact Resistance  
 30 mΩ MAX  
 耐电压:Dielectric Withstanding Voltage:  
 500V AC  
 绝缘阻抗:Insulation Resistance:  
 1000 MΩ MIN  
 Working temprayure:-30° ~+85°

鱼叉脚位尺寸



锡脚脚位尺寸



HE NO.	DIM CL
DBA0017-101	-1.2
DBA0017-102	-1.0
DBA0017-103	-0.5
DBA0017-104	0
DBA0017-105	0.5
DBA0017-106	1.0
DBA0017-107	1.2

NO.	PART NAME	DESCRIPTION	REMARK
5			
4			
3	铁壳	SPCC	Ni Plated
2	端子	C2680	Au/Tin Plated
1	塑胶	LCP	UL 94V-0

**HE** 东莞市旭明电子有限公司

TITLE: VGA超薄短体 正向CH=-1.2~1.2

PART NO.	DBA0017-XXX	UNIT:mm
FILE NAME	150605-01	SHEET: 1 of 1 SCALE: 1:1 A4

REV	DATE	DESCRIPTION	NAME	APPRO.	GENERAL TOLERANCE UNLESS OTHERWISE NOTED	DESIGN	CHECK	APPRO.
0	15/06/05	NEW	Chi	Captain	0 ? .25 0.0 ? .20 0.00 ? .15			