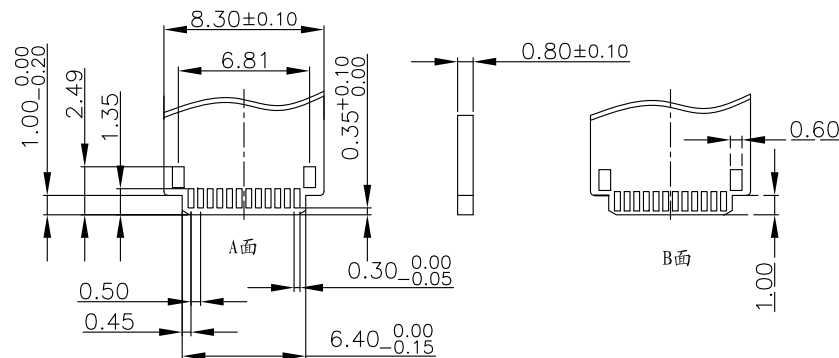
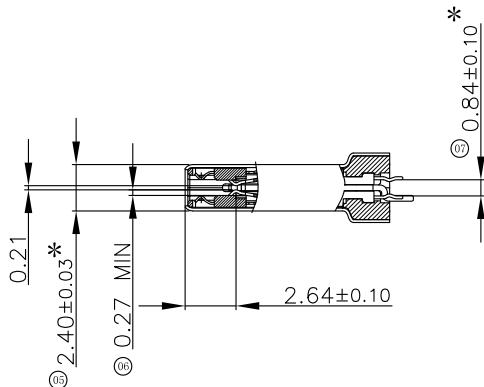
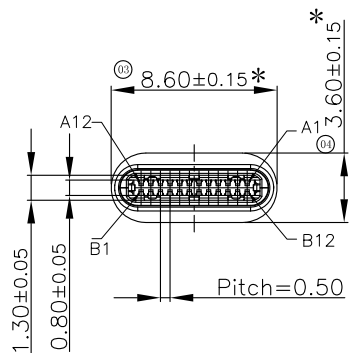


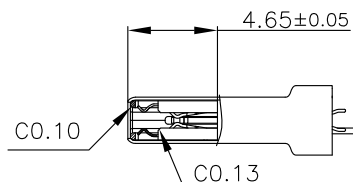
NOTE:

- 1.ELECTRICAL CHARACTERISTICS:
  - 1.1 CONTACT RESISTANCE: 40mΩ Max FOR INITIAL. 50mΩ CHANGE AFTER TEST. MEASURE AT 20mV, 100mA.
  - 1.2 CONTACT CURRENT RATING: 5A FOR VBUS PIN; 1.25A FOR VCONN PIN.
  - 1.3 DIELECTRIC WITHSTANDING VOLTAGE: 100V AC R.M.S.
  - 1.4 INSULATION RESISTANCE 100MΩ Min
  - 1.5 OPERATING TEMPERATURE: -40°C~85°C
- 2.MECHANICAL CHARACTERISTICS:
  - 2.1 MATING FORCE: 5~20 N.
  - 2.2 UNMATED FORCE: 8~20N AFTER TEST
  - 2.3 DURABILITY: 10,000 CYCLES



Pin Assignments

Pin No	Signal Name	Signal Name	Pin No
A1	GND	GND	B12
A2	TX1+	RX1+	B11
A3	TX1-	RX1-	B10
A4	Vbus	Vbus	B9
A5	CC	SBU2	B8
A6	D+		B7
A7	D-		B6
A8	SBU1	Vconn	B5
A9	Vbus	Vbus	B4
A10	RX2-	TX2-	B3
A11	RX2+	TX2+	B2
A12	GND	GND	B1



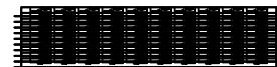
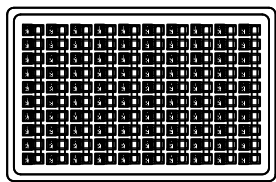
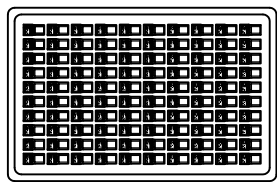
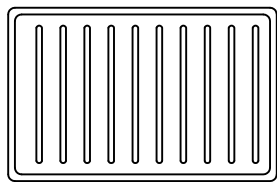
PCB Layout

6			
5	EMI 弹片	不锈钢 T=0.10	
4	卡钩	不锈钢 T=0.20	
3	外壳	不锈钢 T=0.15	Ni PLATED
2	端子	C5191 T=0.15	GOLD/TIN PLATED Au/2u"
1	胶芯	LCP	UL 94V-0
NO.	PART NAME	MATERIAL	DESCRIPTION

**HE** 东莞市旭明电子有限公司

TITLE:	夹板0.8拉伸款 L10.60 黑LCP外壳不锈钢镀镍 端子镀金2u" 弯端		
PART NO.	UCU0080-000	CUSTOMER NO(REV)	UNIT:mm
FILE NAME	170926-01	SHEET: 1 of 2	SCALE: 1:1 A4

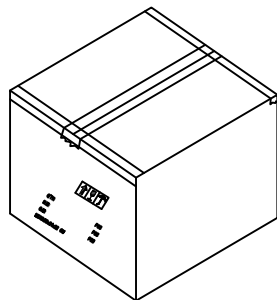
				0	±0.25	DESIGN		
				0.0	±0.20			
0	17/09/26	NEW	Dave	Captain	0.00	±0.15	CHECK	
REV	DATE	DESCRIPTION	NAME	APPRO.	GENERAL TOLERANCE UNLESS OTHERWISE NOTED		APPRO.	



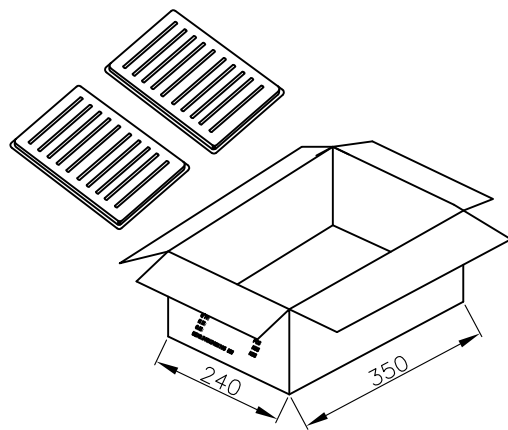
① 产品入吸塑盘示意图  
图一

② 盖吸塑盒上盖  
图二

③ 10盘为一栋(1000PCS)  
图三



⑤ 外箱封箱示意图  
图五



④ 产品入外箱示意图  
图四

包装说明:

1. 将检验好的成品;PCB板有电子元件一面朝上放入吸塑盒内;  
每盘装100PCS产品;具体如图一所示
2. 将装好产品的吸塑盒盖上上盖,每10盘叠一栋,用保护膜固定好(如图2,3所示)
3. 将保护固定好的产品装入纸箱中,正面需朝上;
4. 装完产品后需封胶带并贴标签(如图五标识);  
(产品包装的标签,如客户有要求,请按客户要求包装出货)
5. 包装明细:  
100pcs/盘; 60盘/箱; 6000pcs/箱(根据客户需求量装箱)

6			
5			
4			
3			
2			
1			
NO.	PART NAME	MATERIAL	DESCRIPTION

<b>HE 东莞市旭明电子有限公司</b>			
TITLE:	TYPE-C 包装规范		
PART NO.	UCU0080-000	CUSTOMER NO(REV)	UNIT:mm
FILE NAME	170925-05	SHEET: 2 of 2	SCALE: 1:1 A4

					0	±0.25	DESIGN		
					0.0	±0.20		CHECK	
0	17'/09/25	NEW	Dave	Captain	0.00	±0.15	APPRO.		
REV	DATE	DESCRIPTION	NAME	APPRO.	GENERAL TOLERANCE UNLESS OTHERWISE NOTED		APPRO.		