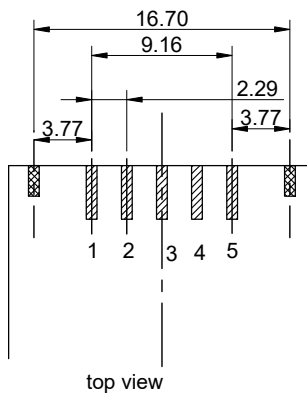
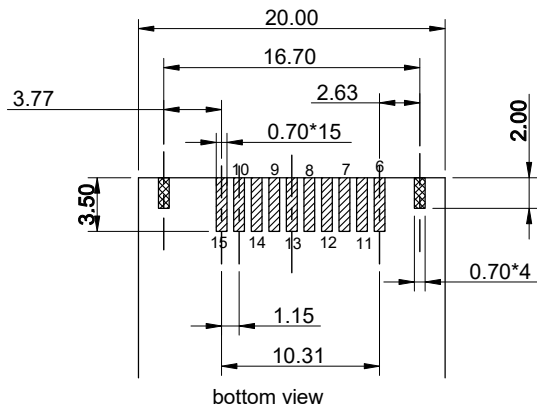


RECOMMENDED P.C.B LAYOUT (COMPONENT SIDE)  
FOR P.C.B THICKNESS:1.20&1.60mm



NOTE:

接触阻抗:30 mΩ MAX

耐电压:500V AC

绝缘阻抗:1000 MΩ MIN

寿命测试:5000次, 插拔速度300次/小时

插入力MAX: 4.5Kgf

拔出力MIN: 0.45Kgf

盐雾测试: 24H

工作温度:-30° ~+85°

5			
4			
3	Terminal	Brass	GOLD/TIN PLATED
2	Shell	SPCC	Au/Ni PLATED
1	Housing	LCP BLACK	UL 94V-0
NO.	PART NAME	DESCRIPTION	REMARK

**HE** 东莞市旭明电子有限公司

TITLE:		VGA夹板式短体		
PART NO.	DBJ0015-100	CUSTOMER NO(REV)	1G	UNIT:mm
FILE NAME	140531-10	SHEET: 1 of 1	SCALE: 1:1	A4

C	17/06/09	更新图面	Wyl	Dave	0	? .20	DESIGN		
B	14/07/19	2.30→2.10	chi	captain	0.0	? .15			
A	14/06/23	变更叉片距15.9→16.7	chi	captain	0.00	? .10	CHECK		
REV	DATE	DESCRIPTION	NAME	APPRO.	GENERAL TOLERANCE UNLESS OTHERWISE NOTED		APPRO.		