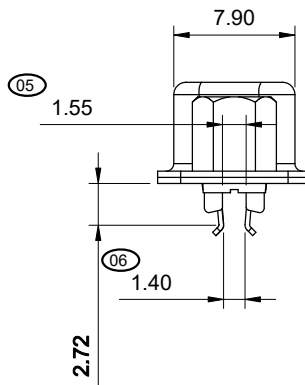
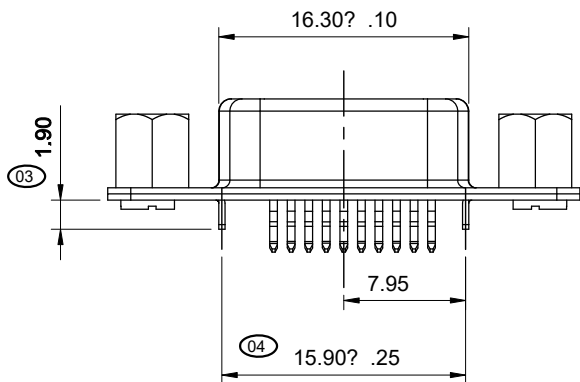
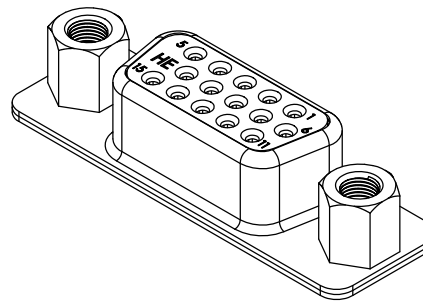
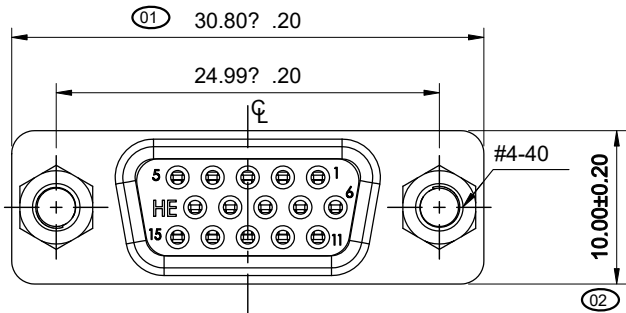
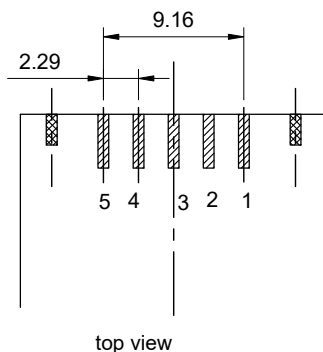
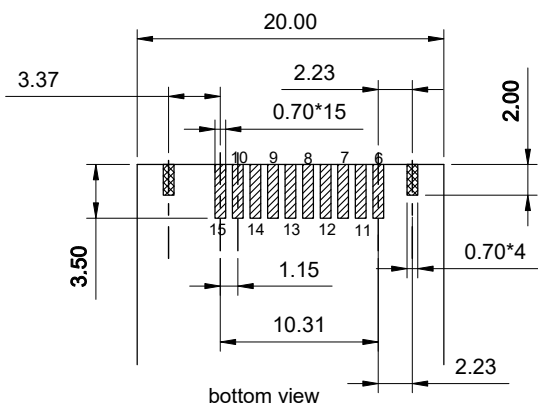


RoHS



RECOMMENDED P.C.B LAYOUT (COMPONENT SIDE)
FOR P.C.B THICKNESS: 1.20&1.60mm



NOTE:

- 接触阻抗: 30 mΩ MAX
- 耐电压: 500V AC
- 绝缘阻抗: 1000 MΩ MIN
- 寿命测试: 5000次, 插拔速度300次/小时
- 插入力MAX: 4.5Kgf
- 拔出力MIN: 0.45Kgf
- 盐雾测试: 24H
- 工作温度: -30°~+85°

NO.	PART NAME	DESCRIPTION	REMARK
5	Rivet	Brass	Nickel PLATED
4	Terminal	Brass	GOLD/TIN PLATED
3	Shell	SPCC	Nickel PLATED
2	Shell	SPCC	Nickel PLATED
1	Housing	LCP/NY9T/PA66/PBT BLACK/BLUE/WHITE/GRAY/ORANGE	UL 94V-0

HE 东莞市旭明电子有限公司

TITLE:	VGA夹板式长体		
PART NO.	DBJ0013-100	UNIT:mm	
FILE NAME	140321-10	SHEET: 1 of 1	SCALE: 1:1 A4

REV	DATE	DESCRIPTION	NAME	APPRO.	GENERAL TOLERANCE UNLESS OTHERWISE NOTED	APPRO.
B	17/06/23	更新图面	Wyl	Dave	0 ? .25	DESIGN
A	14/05/21	变更端子PIN脚及叉片脚结构	chi	captain	0.0 ? .20	CHECK
0	14/03/21	NEW	chi	captain	0.00 ? .15	APPRO.