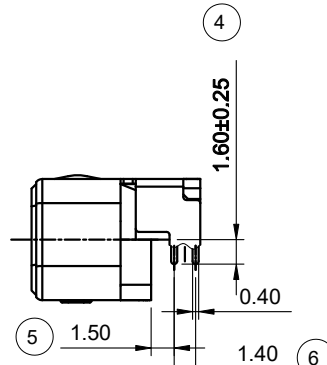
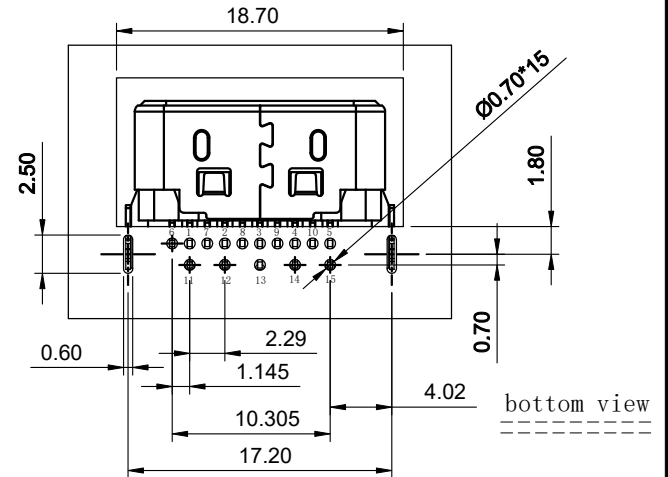


鱼叉脚位尺寸



锡脚脚位尺寸



材料:Material:

特性:Specifications:

电器 Electrical:
接触阻抗:Contact Resistance
30 mΩ MAX

耐电压:Dielectric Withstanding Voltage:
500V AC

绝缘阻抗:Insulation Resistance:
1000 MΩ MIN

Working temprayure:-30° ~+85°

塑胶: LCP

端子: Contact:C2680
Plated Gold in Mating Area;
Tin/Lead On Solder Talls

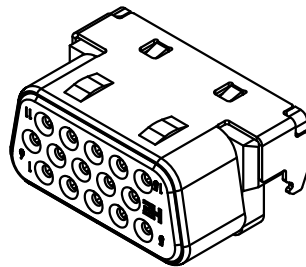
外壳:Shell: SPCC

寿命测试: life test:
5000次, 插拔速度300次/小时

插入力MAX: 4.5Kgf Max.

拔出力MIN: 0.45Kgf Min.

盐雾测试: 24H



5			
4			
3	SHELL	SPCC	Ni Plated
2	Contact	C2680	Au/Tin Plated
1	HOUSING	LCP	UL 94V-0
NO.	PART NAME	DESCRIPTION	REMARK

HE 东莞市旭明电子有限公司

TITLE: VGA超薄短体 反向CH=0

PART NO.	DBC0016-104	UNIT:mm
FILE NAME	150401-01	SHEET: 1 of 1 SCALE: 1:1 A4

REV	DATE	DESCRIPTION	NAME	APPRO.	0	? .25	DESIGN		
					0.00	? .20	CHECK		
0	15/04/01	NEW	Chi	Captain	0.00	? .15	APPRO.		
					GENERAL TOLERANCE UNLESS OTHERWISE NOTED				