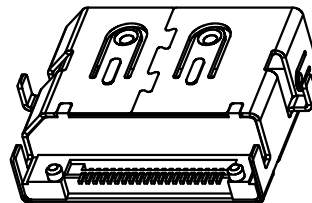
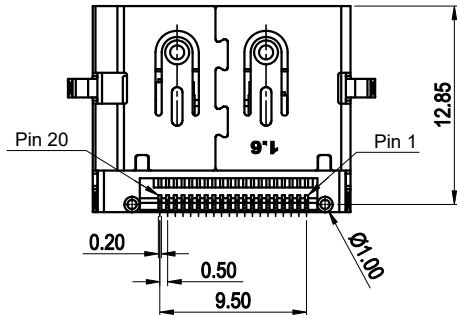
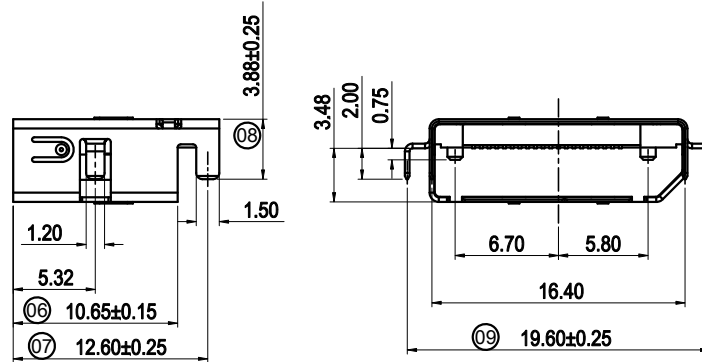
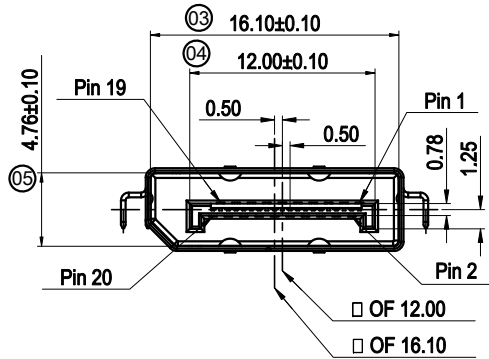


RECOMMENDED PCB LAYOUT
(THICKNESS=1.60±.05mm)



NOTE:

A. MATERIAL:

1. Housing: LCP(HF) UL94V-0 Black
2. Contact: Copper Alloy
3. Shell: Steel

B. PLATING:

1. Contact: Contact Area Gold Plated
Solder Area Sn Plated
Under Plated Nickel
2. Shell: Nickel Plated

C. SPECIFICATION:

1. Current: 0.5A
2. Voltage: 40V RMS
3. Withstanding Voltage: 500V AC
4. Contact Resistance: $\Delta R=30 \text{ m}\Omega$ max. (Contact)
 $\Delta R=50 \text{ m}\Omega$ max. (Shell)
5. Insulation Resistance: 100 M Ω min.
6. Temperature Range: -20 $^{\circ}\text{C}$ to +85 $^{\circ}\text{C}$
7. Mating And unmating Force:
 - 7.1 Mating Force: 4.5Kg(44.1N)Max.
 - 7.2 Unmating Force: 1.0Kg \sim 4.0Kg(9.8N \sim 39.2N)
8. Durability: 10000 Cycles

5			
4			
3	SHELL	STEEL	Ni PLATED
2	TERMINAL	COPPER ALLOY	Au/Tin PLATED
1	HOUSING	LCP	UL94V-0
NO.	PART NAME	DESCRIPTION	REMARK

HE 东莞市旭明电子有限公司

TITLE:	DP沉板式SMT母座 无翻边, CL=0.8mm			
PART NO.	DPB0003-000	CUSTOMER NO(REV)	1G	UNIT:mm
FILE NAME	1907015-01	SHEET: 1 of 1	SCALE: 1:1	A4

				0	? .25		
				0.0	? .20	DESIGN	
A	19/07/15	NEW	Stn	Captain	0.00	? .15	CHECK
REV	DATE	DESCRIPTION	NAME	APPRO.	GENERAL TOLERANCE UNLESS OTHERWISE NOTED		APPRO.