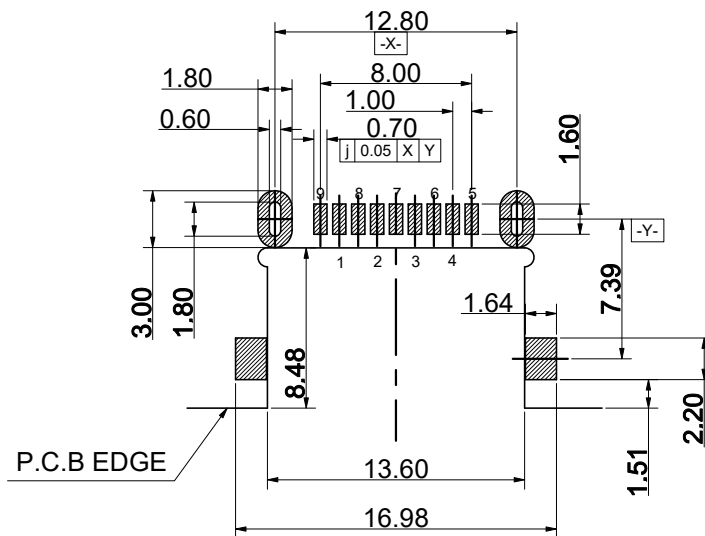


UAA0038-XXX

000: 蓝 LCP
001: 蓝 PA9T



RECOMMEND P.C.B LAYOUT (THICKNESS 1.6mm)
(COMPONENT SIDE) TOLERANCE? .05mm

备注:

1. 材质:

胶芯: (见料号说明).

后塞: LCP, 黑色.

端子: COPPER ALLOY.

外壳: SUS.

2. 电镀:

端子: 接触区镀金(见料号说明), 焊锡区镀锡50u"MIN.

外壳: 镀镍30u"MIN.

6			
5			
4			
3	端子	G2680	GOLD/TIN/Au PLATED
2	铁壳	SUS201	Au/Ni PLATED
1	塑胶	LCP/PA9T	BLUE UL 94V-0
NO.	PART NAME	MATERIAL	DESCRIPTION

HE 东莞市旭明电子有限公司

TITLE:	USB A TYPE CONN. H2.06			
PART NO.	UAA0038-000	CUSTOMER NO(REV)	1G	UNIT:mm
FILE NAME	190715-01	SHEET: 1 of 1	SCALE: 1:1	A4

				0	? .25	DESIGN		
				0.0	? .20	CHECK		
A	19/07/15	NEW	HQ	LZX	0.00	? .15	APPRO.	
REV	DATE	DESCRIPTION	NAME	APPRO.	GENERAL TOLERANCE UNLESS OTHERWISE NOTED		APPRO.	