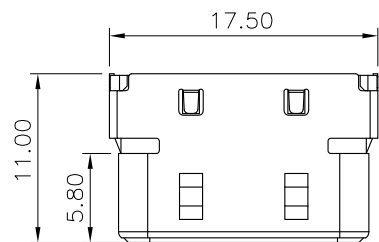
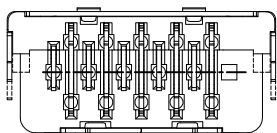


RECOMMENDED P.C.B LAYOUT (COMPONENT SIDE)

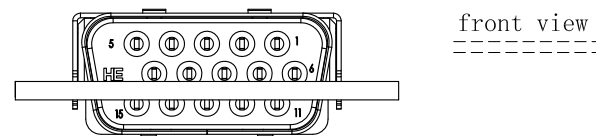
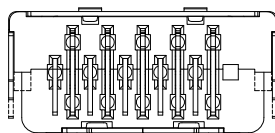
FOR P.C.B THICKNESS:1.20



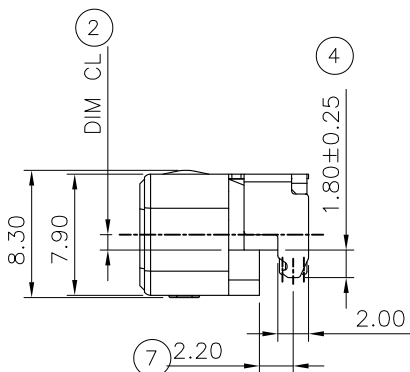
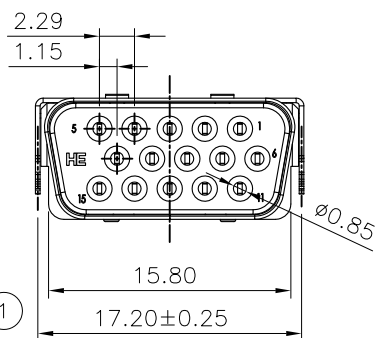
CL -1.2~0



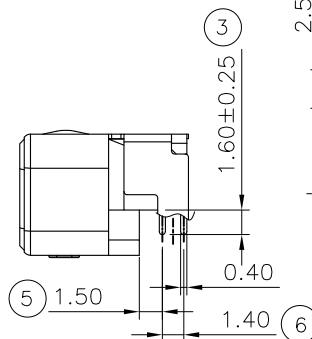
CL 0.5~1.20



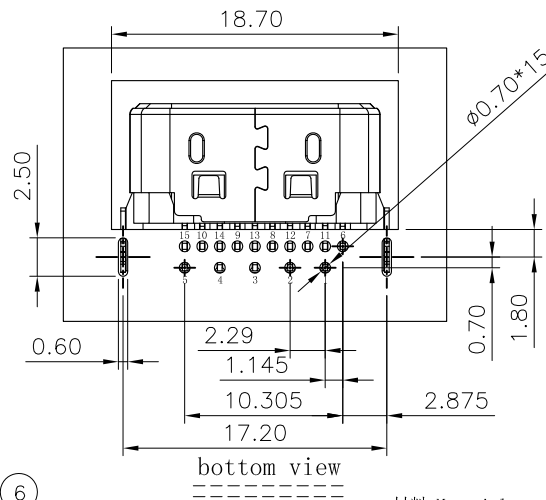
front view



鱼叉脚位尺寸



锡脚脚位尺寸



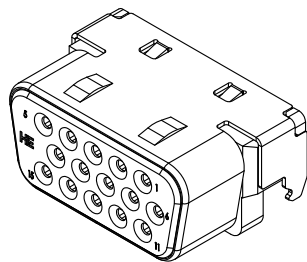
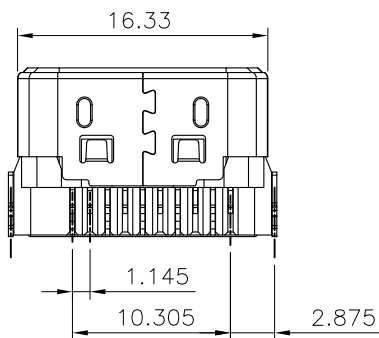
bottom view

材料:Material:

- 塑胶: LCP
- 端子: Contact:C2680
- Plated Gold in Mating Area:
- Tin/Lead On Solder Tails
- 外壳:Shell: SPCC
- 寿命测试: life test:
- 5000次, 插拔速度300次/小时
- 插入力MAX: 4.5Kgf Max.
- 拔出力MIN: 0.45Kgf Min.
- 盐雾测试: 24H

特性:Specifications:

- 电器 Electrical:
- 接触阻抗:Contact Resistance
- 30 mΩ MAX
- 耐电压:Dielectric Withstanding Voltage:
- 500V AC
- 绝缘阻抗:Insulation Resistance:
- 1000 MΩ MIN
- Working temperayure:-30° ~+85°



HE NO.	DIM CL
DBA0017-101	-1.2
DBA0017-102	-1.0
DBA0017-103	-0.5
DBA0017-104	0
DBA0017-105	0.5
DBA0017-106	1.0
DBA0017-107	1.2

NO.	PART NAME	DESCRIPTION	REMARK
5			
4			
3	铁壳	SPCC	Ni Plated
2	端子	C2680	Au/Tin Plated
1	塑胶	LCP	UL 94V-0

HE 东莞市旭明电子有限公司

TITLE: VGA超薄短体 正向CH=-1.2~1.2

PART NO.	DBA0017-XXX	UNIT:mm
FILE NAME	150605-01	SHEET: 1 of 1
		SCALE: 1:1
		A4

REV	DATE	DESCRIPTION	NAME	APPRO.	GENERAL TOLERANCE UNLESS OTHERWISE NOTED	APPRO.
0	15'06/05	NEW	Chi	Captain	0 ±0.25 0.0 ±0.20 0.00 ±0.15	DESIGN CHECK