

NOTE:

1:CONTACT HEIGHT FOR PIN#14 IS TO BE (4.70).
OTHER CONTACT HEIGHT (5.46).

2:ELECTRICAL

RATED:1.5A 40V (AC)

CONTACT RESISTANCE:30mΩ MAXIMUM.

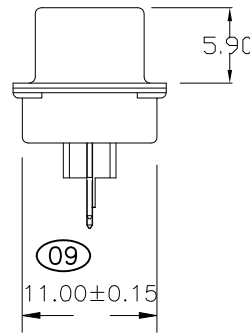
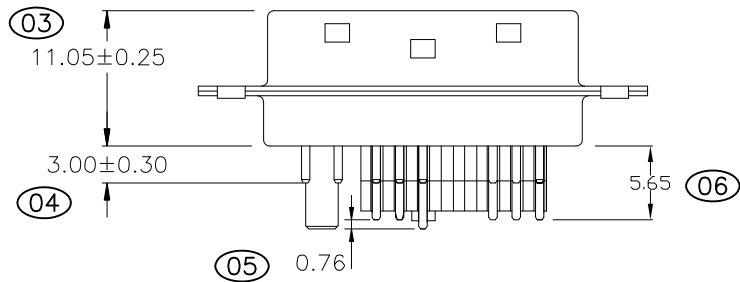
INSULATION RESISTANCE:1000MΩ MINIMUM.

DIELECTRIC WITHSTANDING VOLTAGE:500V

3:MECHANICAL

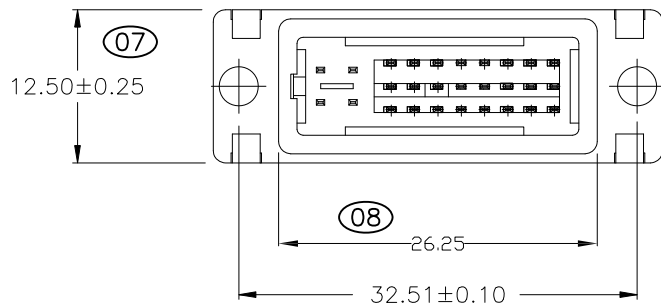
MATING FORCE:4.5KG MAX.

UNMATING FORCE:1KG MIN. 4KG MAX.



DVT0014-000

000: 特征识别码
产品流水号
公头焊线式
DVI 系列



6			
5			
4			
3	外壳	SPCC	NICKEL PLATED
2	端子	C2680	GOLD/TIN PLATED
1	胶芯	PBT	BLACK UL94V-0
NO.	PART NAME	MATERIAL	DESCRIPTION

东莞市旭明电子有限公司

					0	±0.25	DESIGN		
					0.0	±0.20		CHECK	
0	15'/11/20	NEW	Chi	Captain	0.00	±0.15	APPRO.		
REV	DATE	DESCRIPTION	NAME	APPRO.	GENERAL TOLERANCE UNLESS OTHERWISE NOTED				

TITLE:	DVI 18+5 公头焊线式 宽边12.5			
PART NO.	DVT0014-000	CUSTOMER NO(REV)	1G	UNIT:mm
FILE NAME	151120-10	SHEET: 1 of 1	SCALE: 1:1	A4