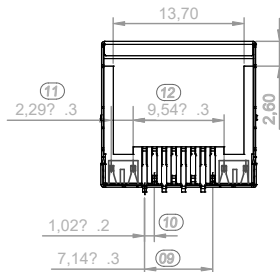
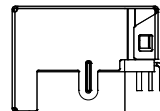
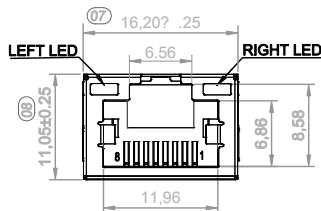
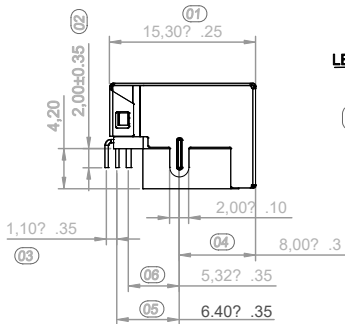
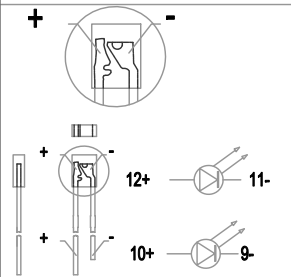


PCBLAYOUT TOP VIEW
TOL:±0.05

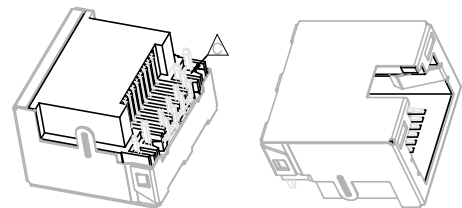


脚位尺寸以过孔规为准



NOTES:

- HOUSING MATERIAL:GLASS FILLED POLYESTER UL94V-0.
 - CONTACT MATERIAL: COPPER ALLOY,T=0.35.
 - PLATING: GOLD PLATED ON CONTACT AREA, 100u"MIN. TIN PLATED ON SOLDERING AREA, 50u"MIN. NICKEL PLATED OVERALL.
 - SHELL: COPPER ALLOY,T=0.20.
 - 30u"MIN. NICKEL PLATED OVERALL.
 - LED:T=0.50, TIN PLATED.
- ELECTRICAL:**
- VOLTAGE RATING: 125V AC RMS.
 - CURRENT RAIING: 1.5AMP.
 - CONTACT RESISTANCE: 30MILLIOHMS MAX.
 - INSULATION RESISTANCE: 500MEGOHMS MIN @500V DC.
- MECHANICAL:**
- DURRABILITY: 750 CYCLES MIN.
 - INSERTION FORCE : 22N MAX.
 - REMOVAL FORCE(WITHOUT PLUG LOCK) : 22N MAX.
- ENVIRONMENTAL:**
- STORAGE: -40°~85°
 - OPERATION: 0°~70°



5			
4			
3			
2			
1			

8	
7	
6	RX-
5	
4	
3	RX+
2	TX-
1	TX+
PIN序说明	

NO.	PART NAME	MATERIAL	DESCRIPTION
-----	-----------	----------	-------------

HE 东莞市旭明电子有限公司
Dongguan City Xuming Electronics Co. Ltd.

TITLE:	RJ45 沉板4.2 DIP 有壳有灯		
PART NO.	RJC0002-005	CUSTOMER NO(REV)	UNIT:mm
FILE NAME		SHEET: of	SCALE: A4

REV	DATE	DESCRIPTION	NAME	APPRO.	0 ? .25	DESIGN
					0.0 ? .20	CHECK
					0.00 ? .15	APPRO.
GENERAL TOLERANCE UNLESS OTHERWISE NOTED						